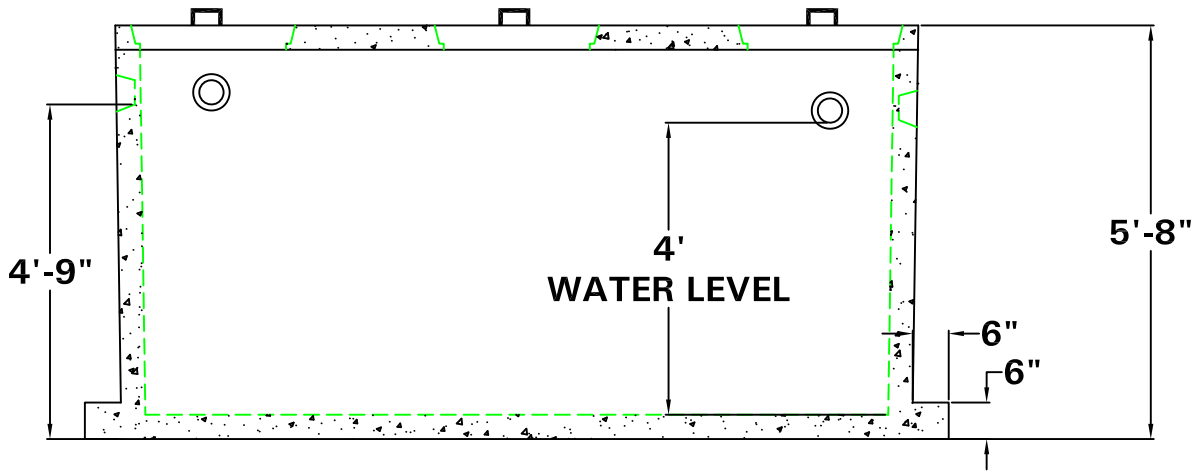
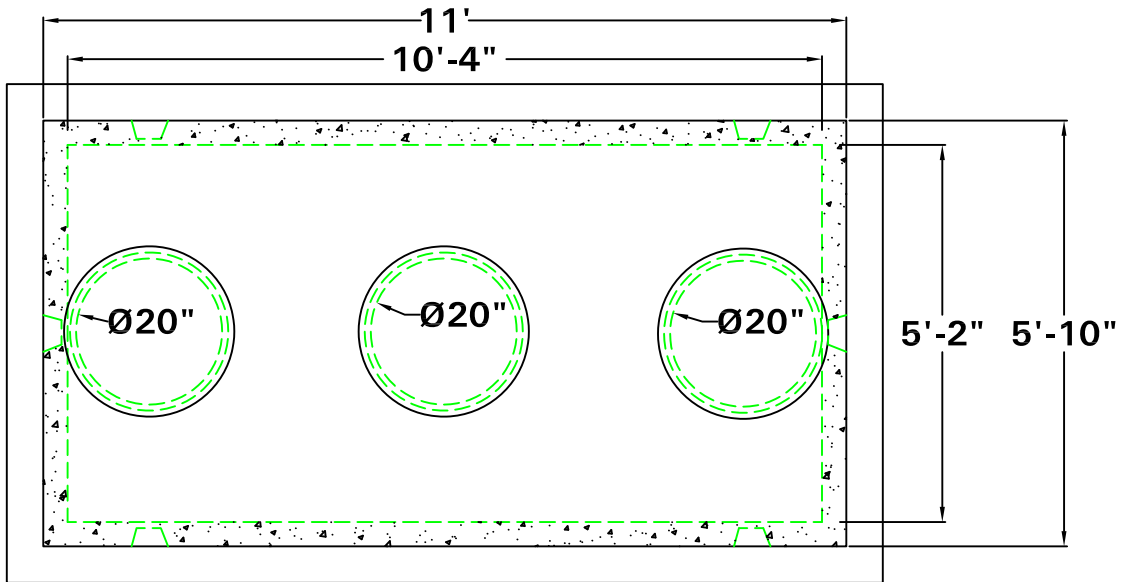


1,500 GALLON EXTENDED BASE MONOLITHIC



DESIGN NOTES:

1. CONCRETE 5,000 PSI. @ 28 DAYS
2. H-10 LOADING WITH 12" TO 60" OF COVER
3. REINFORCING ASTM A-615 GRADE 60
4. CONST. JOINT TO HAVE MIN. 1" BUTYL SEALANT

	FLOOR	VERT. FT	COVER
WEIGHT	5,550 lbs.	1,580 lbs.	3,995 lbs.
VOLUME		395 gal.	



NPCA

Precast ... The Concrete Solution.



SCITUATE RAY PRECAST
 120 CLAY PIT ROAD
 MARSHFIELD, MA 02050
 PHONE # 1-800-440-0009
 FAX # 781-837-4320

CONTRACTOR:

JOB NAME:

DATE:

DRAWING: SRP-ST1.5KM-EB

DRAWING BY: C. J. SCOTT

WWW.SCITUATECOMPANIES.COM