

Building the Future

PRECAST Concrete Curbing



- HIGH Strength
- HIGHER Impact Resistance
- SUPERIOR Durability
- MODERN Curb Technology



Pipe Division & Curbing Sales

P.O. Box 870 • Scituate, MA 02066
T: 1.800.322.4488

Precast Division

P.O. Box 636 • Marshfield, MA 02050
T: 1.800.440.0009

Pembroke Concrete Products

Residential Division

793 Washington Street • Pembroke, MA 02359
T: 1.800.698.6463

www.scituatecompanies.com



PRECAST Concrete Curbing

Specifications:

Precast Concrete Curbing as manufactured by Scituate Concrete Products. The curbing shall yield 5,000 psi in 28 days minimum. Controlled 6 to 7 percent entrained air, reinforced with 2 - #4 rebars design located, fiber enhancement, plus high-range water reducing admixture. Install Precast Concrete Curbing compacted base as per manufacturer's recommendations.



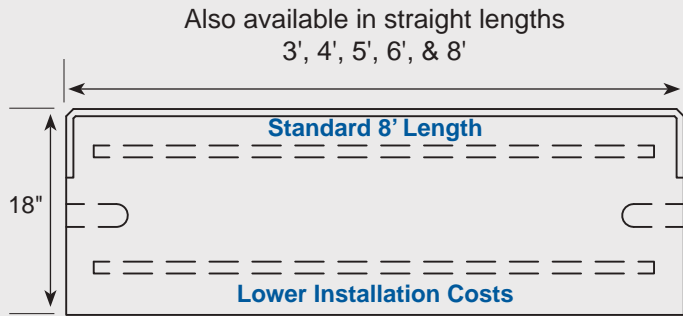
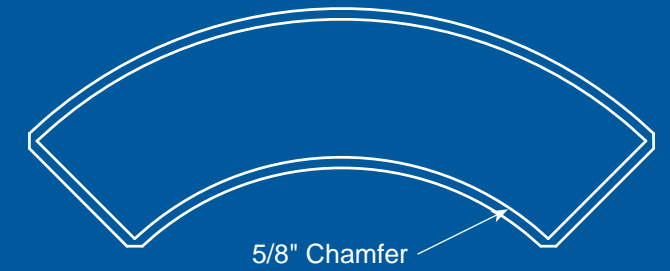
Building the Future

Environmentally Enhancing

Specifications:

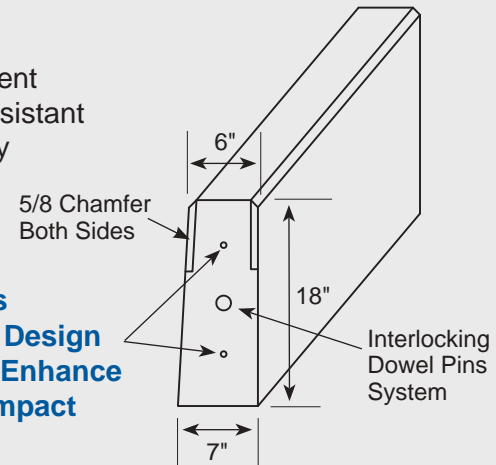
Available in Radii

Standard radii shown below. Each section represents the number of pieces required to complete a 90° radius.



- 2 #4 Rebar
- Fiber Reinforcement
- Higher Impact Resistant
- Structural Integrity

2 #4 Rebars Reinforced Design Located to Enhance Load and Impact Deterrence



Standard size: 18"H x 7"W with 1" in diameter x 3" deep dowel hole.

Easy to install Standard 8' length, Less Joints

Special Additional Units Available

