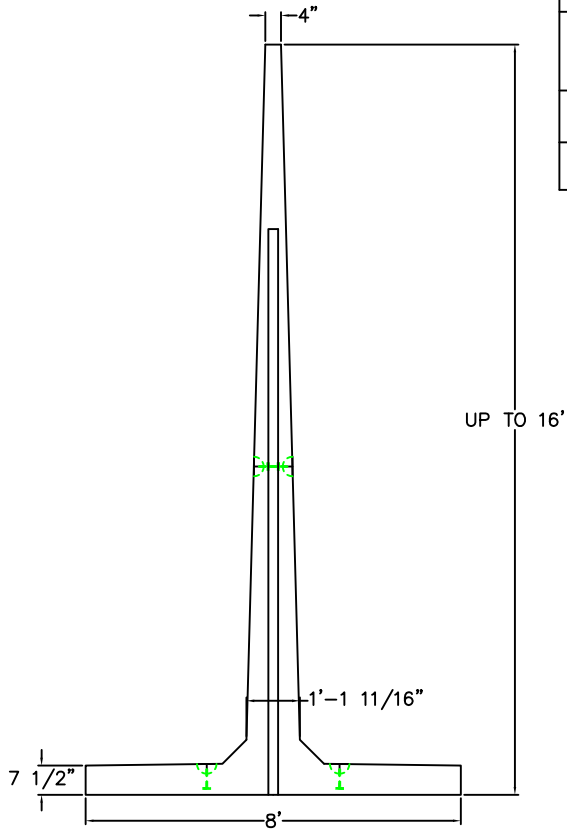




120 CLAY PIT ROAD
MARSHFIELD, MA 02050
PHONE # 1-800-440-0009
FAX # 781-837-4320

CONTRACTOR:		JOB NAME:
DATE: 01/09/2019	APPROVED BY:	DRAWING BY: C. J. SCOTT
SCP STANDARD T-WALL		



- DESIGN NOTES:
1. CONCRETE 4,000 PSI @ 28 DAYS
 2. REINFORCING PER ASTM A615 GRADE 60 OR GREATER
 3. WEIGHT 17,500 LBS.

