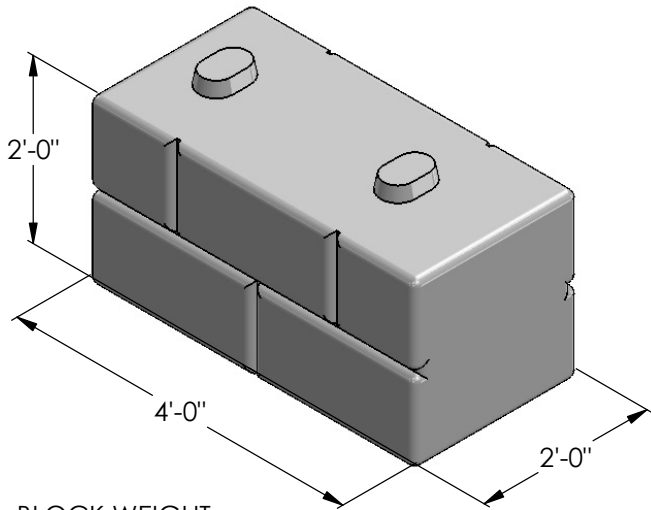


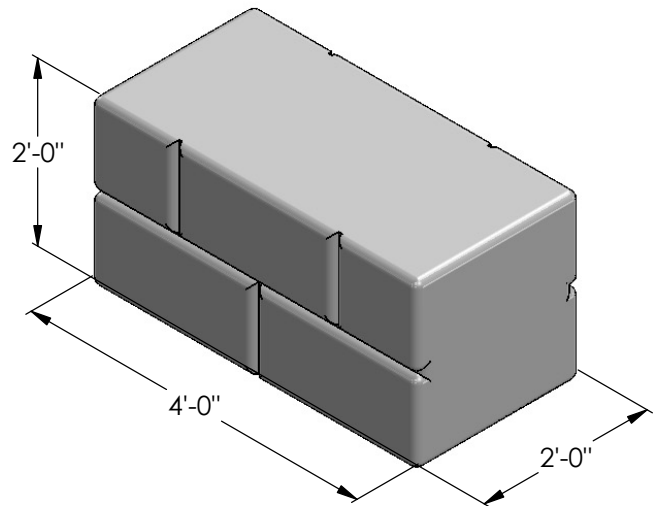
# 2 & 3 SIDED BLOCK SERIES

2 SIDED BLOCK WITH LUG



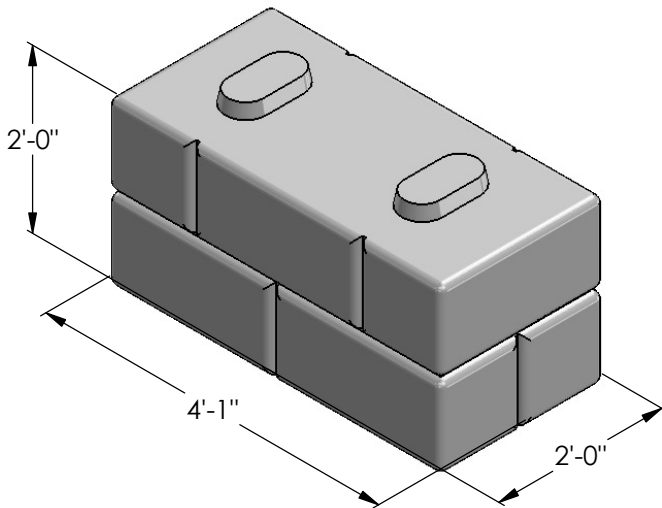
BLOCK WEIGHT  
2130 LBS

2 SIDED BLOCK WITHOUT LUG



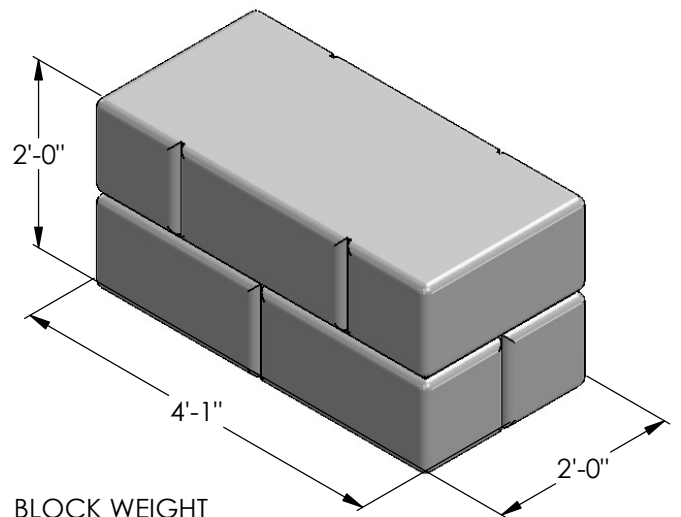
BLOCK WEIGHT  
2130 LBS

3 SIDED BLOCK WITH LUG



BLOCK WEIGHT  
2170 LBS

3 SIDED BLOCK WITHOUT LUG



BLOCK WEIGHT  
2170 LBS



DRAWN BY

DATE

R FONTANESI

6/4/2015

16500 SOUTH 500 WEST  
BLUFFDALE, UTAH 84065  
PHONE: (801) 571-2028

TITLE:

2 & 3 SIDED BLOCKS

DWG NO.

BD-13

REV.  
01

SCALE: NA

WEIGHT: SEE ABOVE

SHEET 1 OF 1