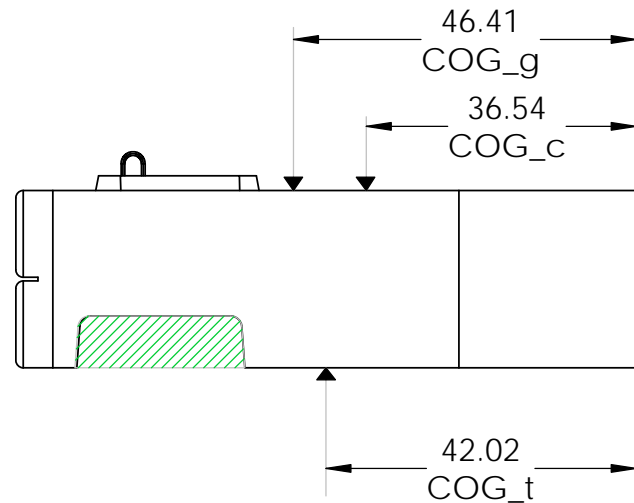
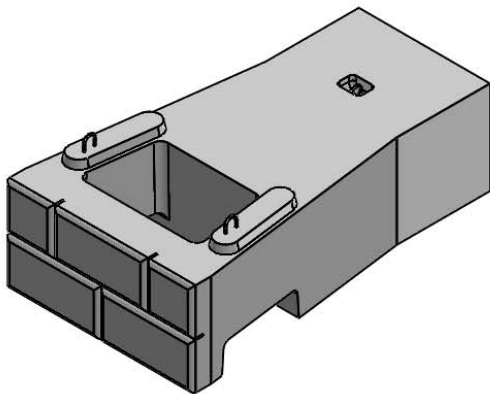
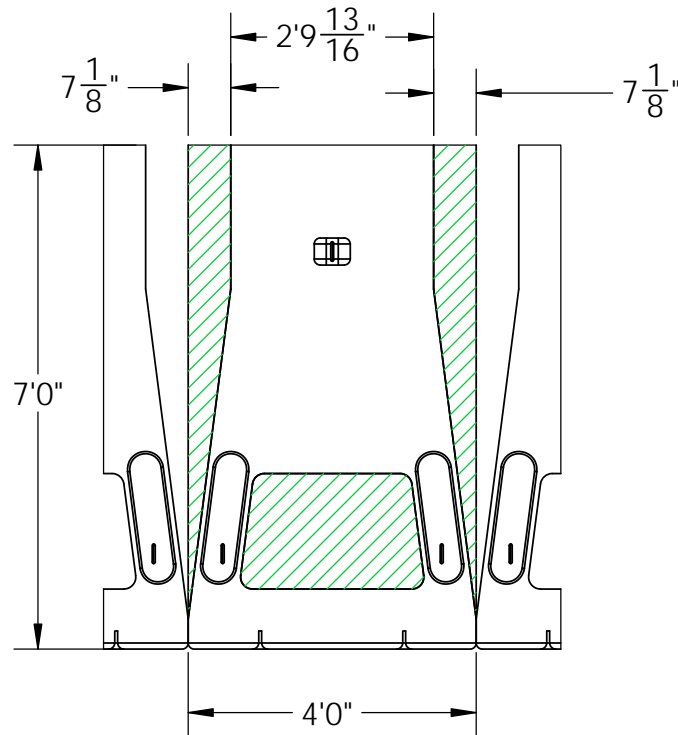


84" BLOCK MASS EXTENDER & GRAVEL INFILL



CONCRETE BLOCK DATA

DESIGN UNIT WEIGHT = 142 pcf
 VOLUME = 35.9 cft
 BLOCK WEIGHT = 5098 lbs
 CENTER OF GRAVITY (COG_c) = 36.54" (SEE NOTES)

GRAVEL INFILL DATA

DESIGN UNIT WEIGHT = 110 pcf
 VOLUME = 20.2 cft
 GRAVEL INFILL WEIGH = 2222 lbs
 CENTER OF GRAVITY (COG_g) = 46.41" (SEE NOTES)

COMBINED UNIT DATA

DESIGN UNIT WEIGHT = (5098 lbs + 2222 lbs) / 56.1 cft = 130 pcf
 VOLUME = 35.9 cft + 20.2 cft = 56.1 cft
 TOTAL UNIT WEIGHT = 7320 lbs
 CENTER OF GRAVITY (COG_t) = 42.02" (SEE NOTES)

NOTES:

- VOLUME, WEIGHT AND COG CALCULATIONS WERE DONE USING CAD SOFTWARE.
- COG MEASUREMENTS ARE FROM BACK OF BLOCK



DRAWN BY	DATE	TITLE:	
R FONTANESI	11/2/2017	84" MASS EXTENDER	
16500 SOUTH 500 WEST BLUFFDALE, UTAH 84065 PHONE: (801) 571-2028		DWG NO.	REV.
		BD-10	01
SCALE: NA	WEIGHT: 5117.25	SHEET 1 OF 1	