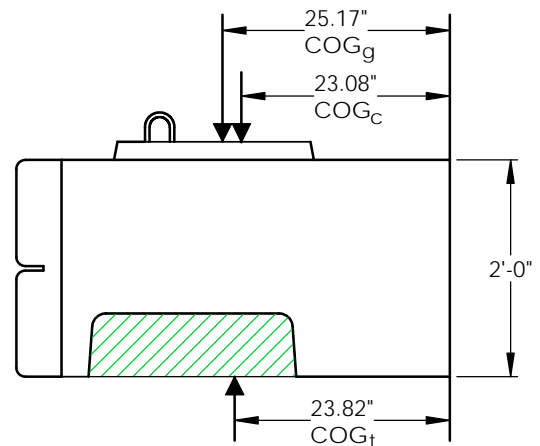
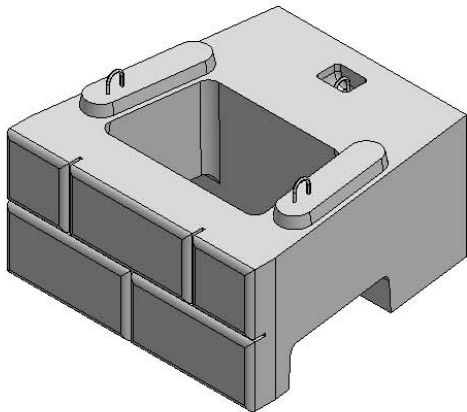
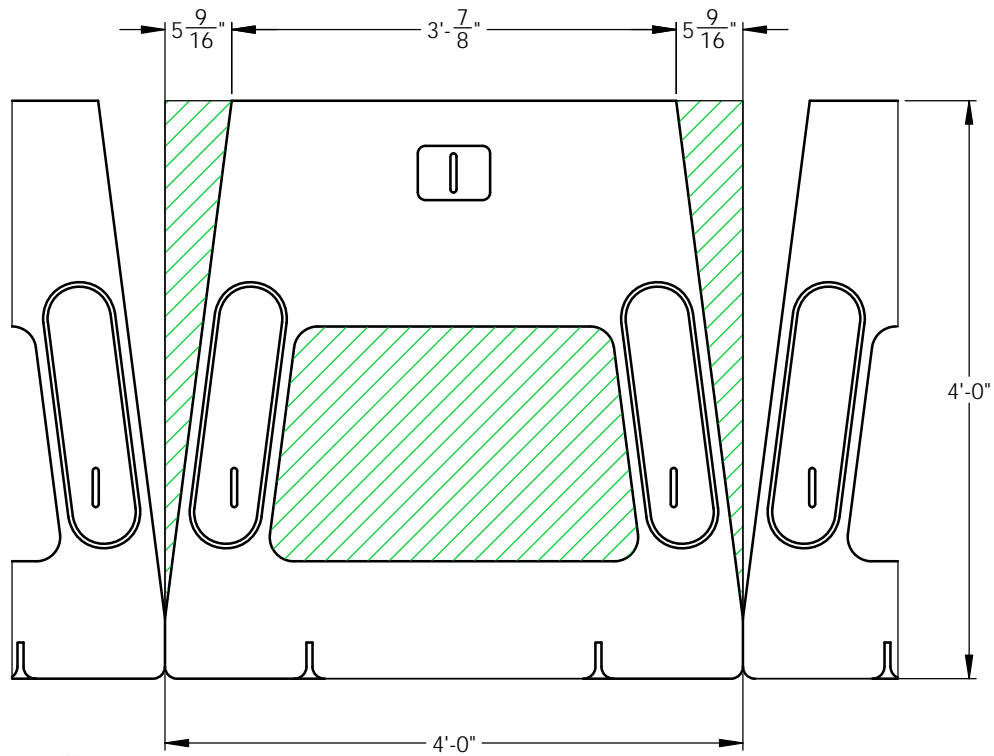


48" MASS EXTENDER BLOCK & GRAVEL INFILL



CONCRETE BLOCK DATA

DESIGN UNIT WEIGHT (γ_c) = 142 pcf
 VOLUME (V_c) = 18.83 cft
 BLOCK WEIGHT (W_c) = 2,674 lbs
 CENTER OF GRAVITY (COG_c) = 23.08" (SEE NOTES)

GRAVEL INFILL DATA

DESIGN UNIT WEIGHT (γ_g) = 110 pcf
 VOLUME (V_g) = 13.17 cft
 GRAVEL INFILL WEIGHT (W_g) = 1,449 lbs
 CENTER OF GRAVITY (COG_g) = 25.17" (SEE NOTES)

NOTES:

- VOLUME, WEIGHT AND COG CALCULATIONS WERE DONE USING CAD SOFTWARE.
- COG MEASUREMENTS ARE FROM BACK OF BLOCK

COMBINED UNIT DATA

DESIGN UNIT WEIGHT (γ_t) = (2,674 lbs + 1,449 lbs) / 32 cft = 129 pcf
 VOLUME (V_t) = 18.83 cft + 13.17 cft = 32.00 cft
 TOTAL UNIT WEIGHT (W_t) = 4,123 lbs
 CENTER OF GRAVITY (COG_t) = 23.82" (SEE NOTES)



DRAWN BY
DAN BALLING

DATE
11/25/2013

TITLE:

48" MASS EXTENDER

DWG NO.

BD-06

16500 SOUTH 500 WEST
 BLUFFDALE, UTAH 84065
 PHONE: (801) 571-2028

SCALE: 1: 20

SHEET 1 OF 1