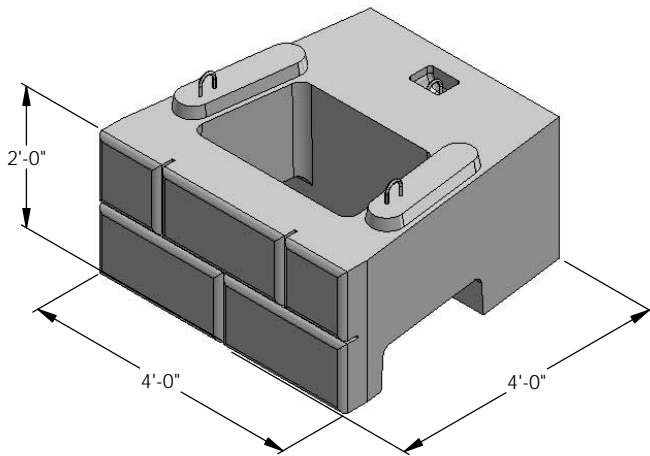


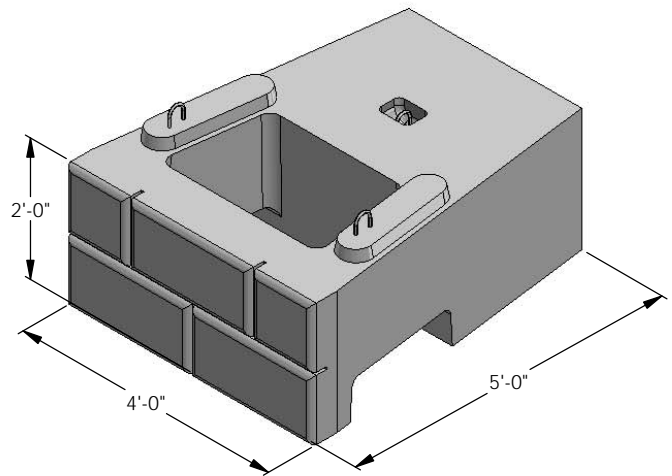
MASS EXTENDER REGULAR BLOCK SERIES

48" MASS EXTENDER



BLOCK WEIGHT
2,674 LBS

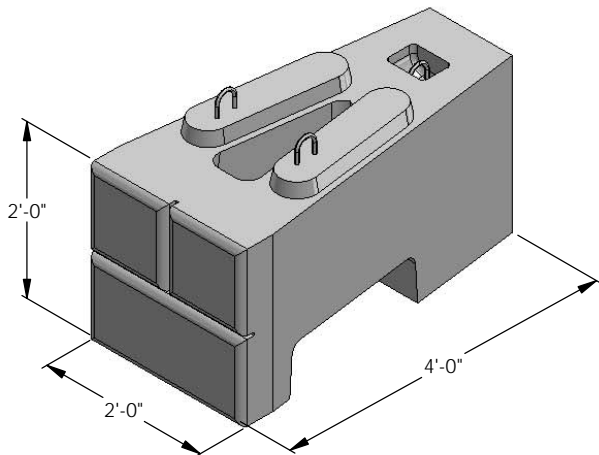
60" MASS EXTENDER



BLOCK WEIGHT
3,509 LBS

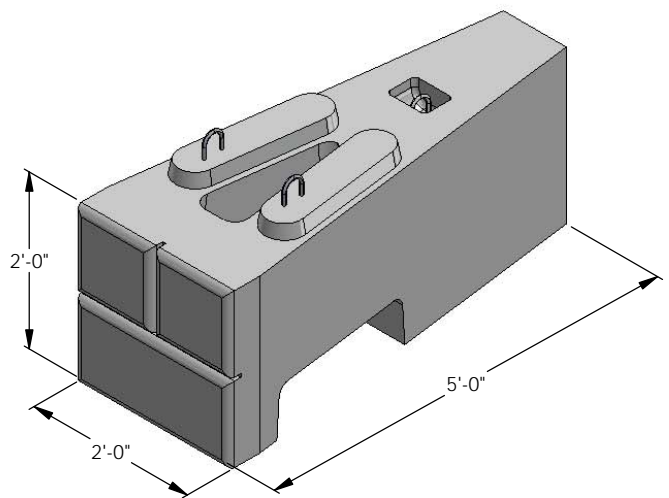
MASS EXTENDER HALF BLOCK SERIES

48" HALF BLOCK MASS EXTENDER



BLOCK WEIGHT
1,392 LBS

60" HALF BLOCK MASS EXTENDER



BLOCK WEIGHT
1,661 LBS



DRAWN BY	DATE
DAN BALLING	11/25/2013

16500 SOUTH 500 WEST
BLUFFDALE, UTAH 84065
PHONE: (801) 571-2028

TITLE:
MASS EXTENDER BLOCK SERIES

DWG NO.	BD-05
---------	-------

SCALE: 1: 20

SHEET 1 OF 1