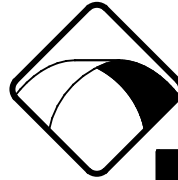
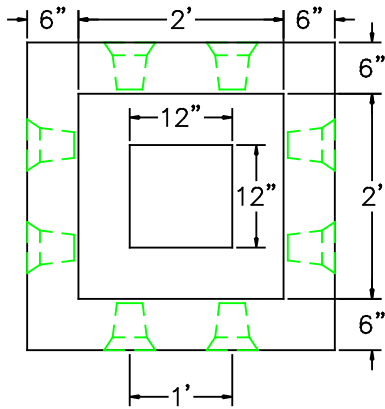
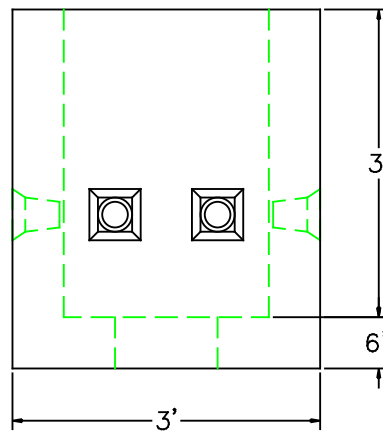
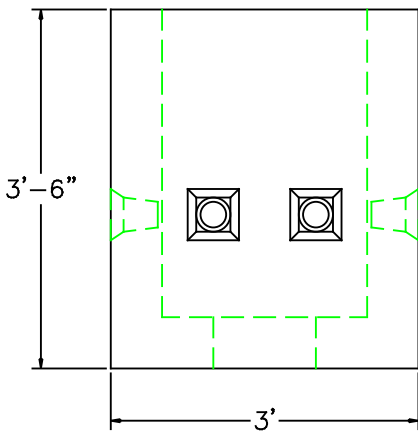


# 2' X 2' PULLBOX



**NPCA**

**Precast ... The Concrete Solution.**



**DESIGN NOTES:**

1. CONCRETE 4,000 PSI @ 28 DAYS
2. REINFORCEMENT PER ASTM A-615. GRADE 60
3. DESIGN LOADING PER AASHTO HS-20



SCITUATE RAY PRECAST  
 120 CLAY PIT ROAD  
 MARSHFIELD, MA 02050  
 PHONE # 1-800-440-0009  
 FAX # 781-837-4320

CONTRACTOR:

JOB NAME:

DATE:

DRAWING: SRP-PB2424

DRAWING BY: C.J. SCOTT

[WWW.SCITUATECOMPANIES.COM](http://WWW.SCITUATECOMPANIES.COM)