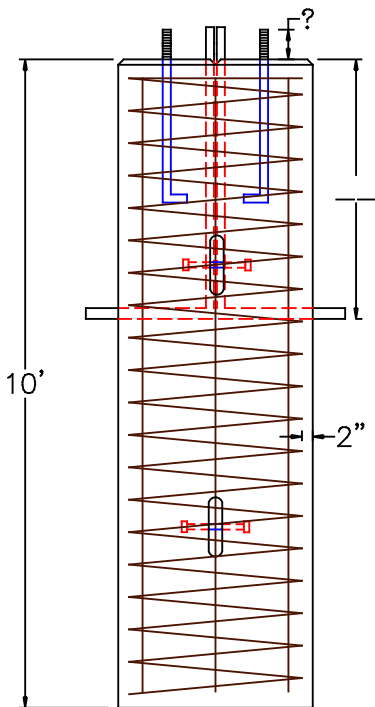
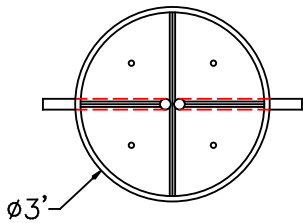


36" DIA X 10' LIGHT POLE BASE

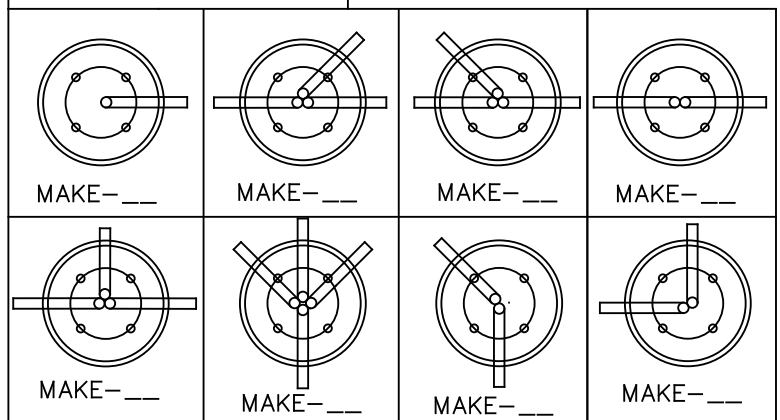


BOLT CIRCLE— _____
 BOLT PROJECTION— _____
 CONDUIT DEPTH— _____
 ANCHOR BOLT SIZE— _____
 CONDUIT SIZE— _____
 CONDUIT PROJECTION— _____
 GROUND WIRE— _____
 CHAMFER— _____
 DRAINAGE TROUGH— _____

DESIGN NOTES:

1. CONCRETE 5,000 PSI @ 28 DAYS
2. REINFORCING TO BE DEFORMED REBER (12) #5 REBAR VERTICALS
#3 SPIRALS @ 3" PITCH TYP HORIZ.
3. RIGGING TO BE DAYTON UTILITY ANCHORS

CONDUIT LAYOUT:



NPCA

Precast ... The Concrete Solution.



SCITUATE
COMPANIES

SCITUATE RAY PRECAST
 120 CLAY PIT ROAD
 MARSHFIELD, MA 02050
 PHONE # 1-800-440-0009
 FAX # 781-837-4320

CONTRACTOR:

JOB NAME:

DATE:

DRAWING: SRP-LB3610R

DRAWING BY: C. J. SCOTT