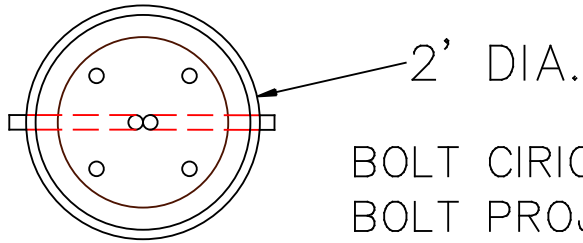
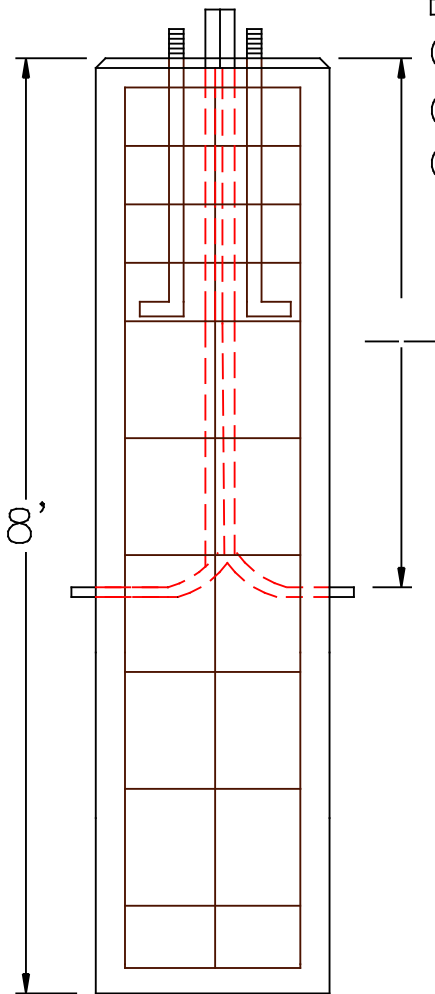


24" DIA X 8' TALL LIGHT BASE



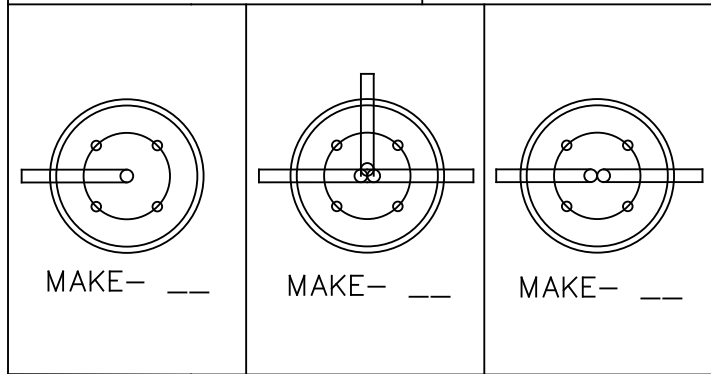
BOLT CIRICLE _____
 BOLT PROJECTION _____
 BOLTS _____
 CONDUIT - _____
 CONDUIT DEPTH - _____
 GROUND ROD - _____



DESIGN NOTES:

1. CONCRETE 5,000 PSI @ 28 DAYS
2. REINFORCING #3TIES @ 8" O.C.,
 (12) #5 REBAR VERTICALS EQUAL SPACED

CONDUIT LAYOUT:



NPCA
 Precast ... The Concrete Solution.



SCITUATE RAY PRECAST
 120 CLAY PIT ROAD
 MARSHFIELD, MA 02050
 PHONE # 1-800-440-0009
 FAX # 781-837-4320

CONTRACTOR:

JOB NAME:

DATE:

DRAWING: SRP-LB248R

DRAWING BY:

C. J. SCOTT